

# Boundri™ Installation Guide

Guidelines for installing your new  
Boundri privacy screens

---

# Safety Requirements

## Tipping Hazard

If handled incorrectly the installation could be tipped over.

## Crush Hazard

Panels are heavy. Falling or dropping panels can cause serious injury. Follow all safety instructions.

## Safety Instructions

CAUTION: Contains small parts.

Read all assembly directions on installation guide before beginning installation.

Use **all** panel clamps for the required panel positions and sizes.

---

## Product Installation Information

Maximum tabletop thickness = 1.25" or 34 mm

Minimum tabletop thickness = 0.25" or 6 mm

Panel Thickness	Inlay Set Up
10 mm - 9 mm	3,00 mm
9 mm - 8 mm	3,00 mm + 0,50 mm
8 mm - 7 mm	3,00 mm + 1,00 mm
7 mm - 6 mm	3,00 mm + 1,00 mm + 0,50 mm
6 mm - 5 mm	3,00 mm + 2,00 mm
5 mm - 4 mm	3,00 mm + 2,00 mm + 0,50 mm
4 mm - 3 mm	3,00 mm + 2,00 mm + 1,00 mm

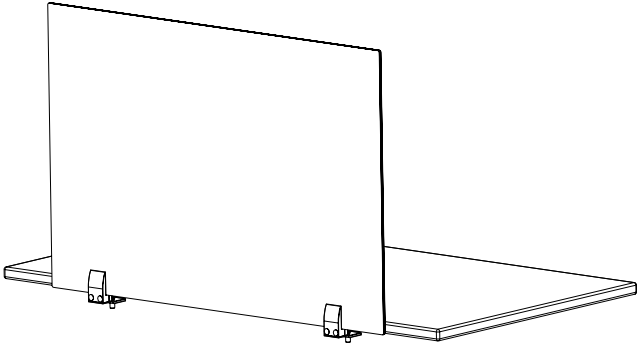
Note: Clamps include inlays required for Boundri panels. Additional inlays provided should clamps be used for alternative panels.

Panel Size	Recommended Distance Standard Set Up	# of Mounts
18 in x 24 in	17.5 in	2
18 in x 36 in	25.5 in	2
18 in x 48 in *	19.5 in	3
18 in x 60 in *	17.5 in	4
18 in x 72 in *	21.5 in	4
24 in x 24 in	17.5 in	2
24 in x 36 in	25.5 in	2
24 in x 48 in *	19.5 in	3
24 in x 60 in *	17.5 in	4
24 in x 72 in *	21.5 in	4

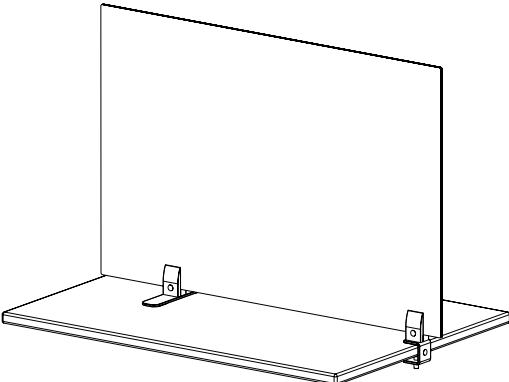
Panel Size	Recommended Distance Standard Set Up	# of Mounts
385 mm x 585 mm	450 mm	2
385 mm x 785 mm	650 mm	2
385 mm x 1185 mm *	500 mm	3
385 mm x 1524 mm *	450 mm	4
385 mm x 1830 mm *	550 mm	4
585 mm x 585 mm	450 mm	2
585 mm x 785 mm	650 mm	2
585 mm x 1185 mm *	500 mm	3
585 mm x 1524 mm *	450 mm	4
585 mm x 1830 mm *	550 mm	4

\* sizes not available in Privacy/Modesty set up

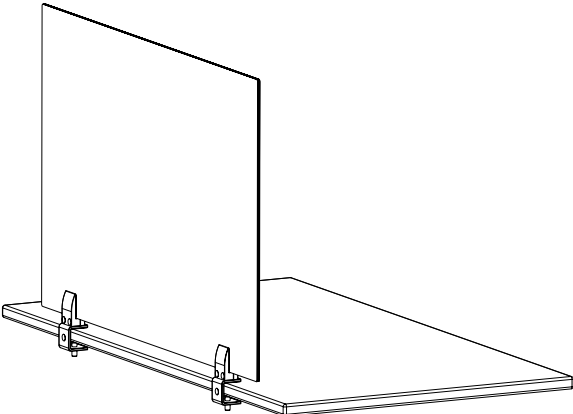
# Product Configurations



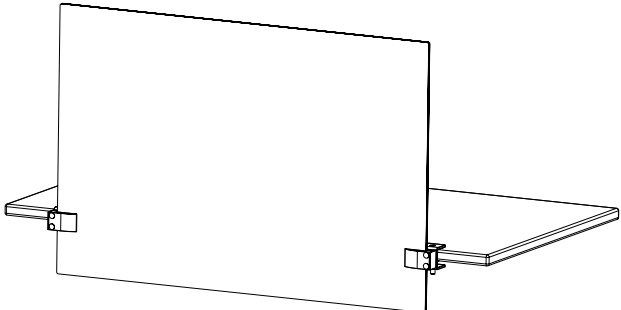
**Privacy | Back Mount**  
Page: 5



**Side Divider | Top Mount**  
Page: 7



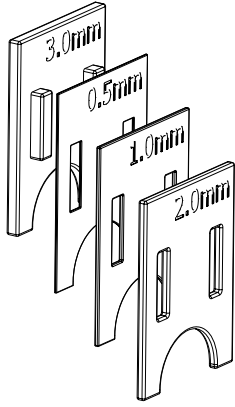
**Privacy | Top Mount**  
Page: 6



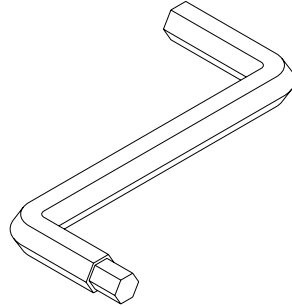
**Privacy | Modesty**  
Page: 8

# Materials Provided

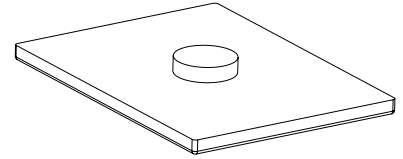
Note: Parts are not drawn to scale.



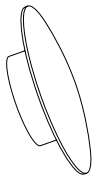
Inlay spacers



Allen wrench



Bottom cover



Hole cover

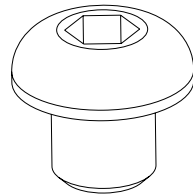
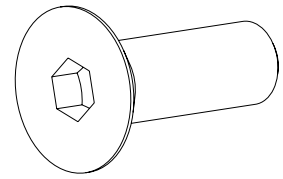
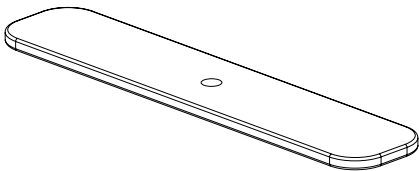


Table clamp screw



Panel clamp screw



Clamp base

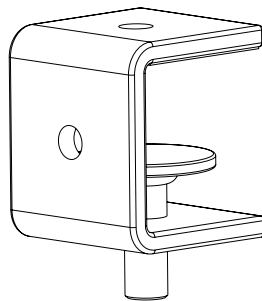
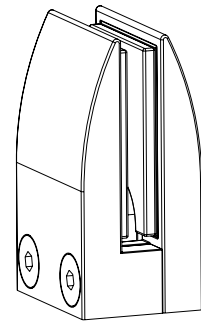


Table clamp / cap cover

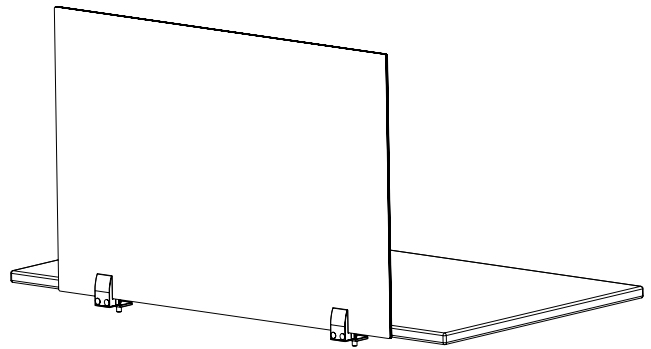


Panel clamp

# Privacy | Back Mount

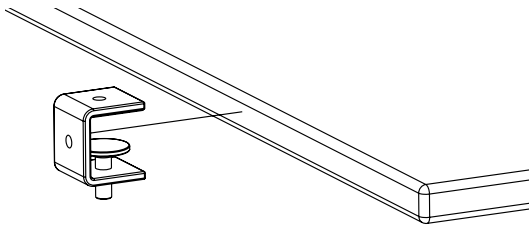
Read all assembly directions before beginning installation.

Use **all** panel clamps for the required positions.



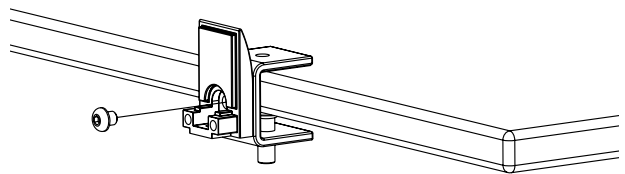
## Step 1

Turn the clamp screw to be tight with the table surface.



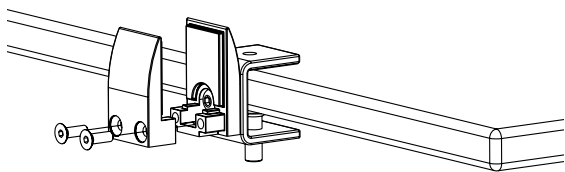
## Step 2

Attach first part of clamp to mount.



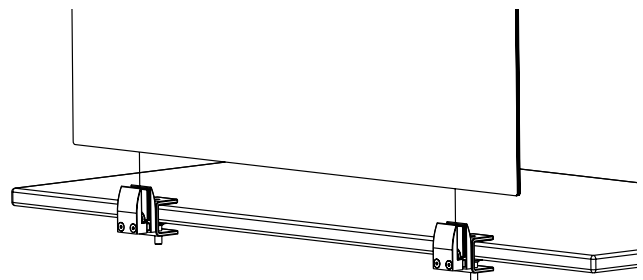
## Step 3

Do not tighten fully to support for easier next step.



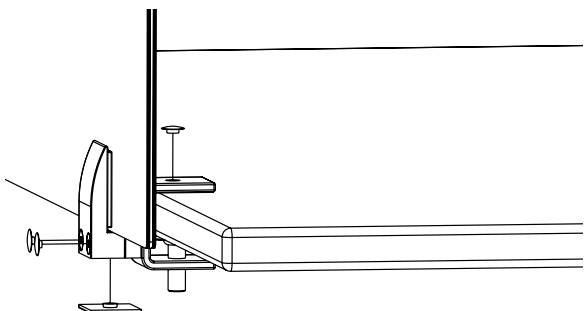
## Step 4

Insert panel. Hand tighten screw with allen wrench until it will go no further.



## Step 5

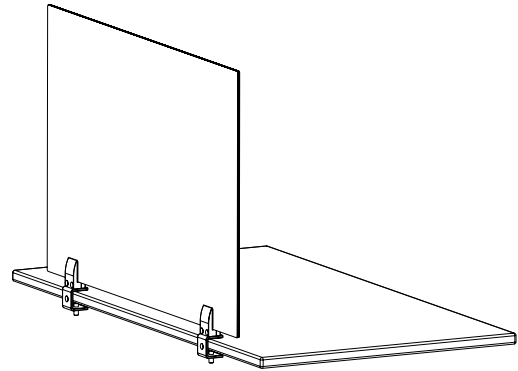
Install hole covers.



# Privacy | Top Mount

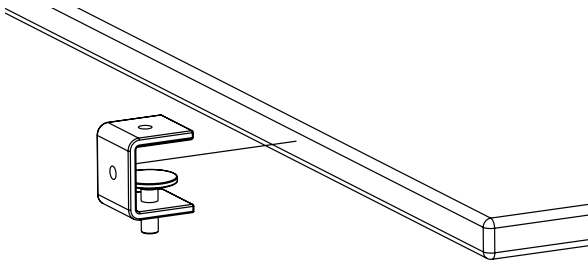
Read all assembly directions before beginning installation.

Use **all** panel clamps for the required positions.



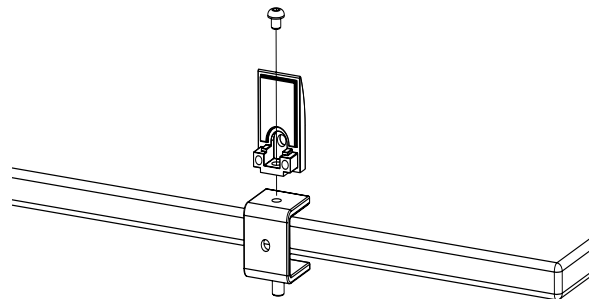
## Step 1

Turn the clamp screw to be tight with the table surface.



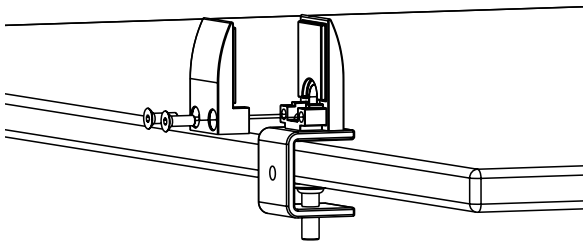
## Step 2

Attach first part of clamp to mount.



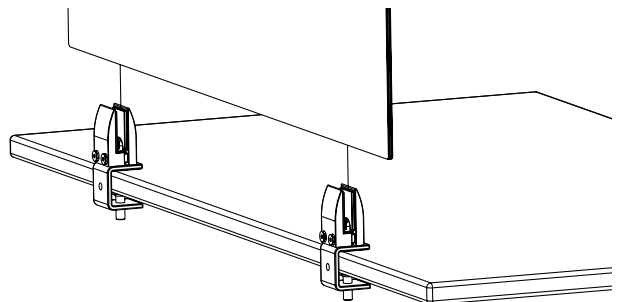
## Step 3

Do not tighten fully to support for easier next step.



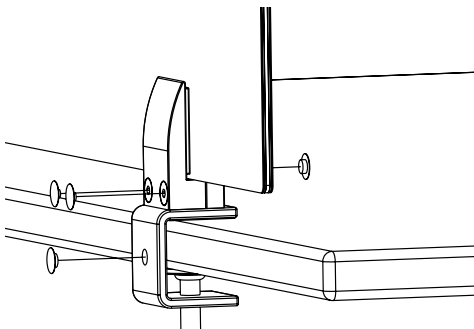
## Step 4

Insert panel. Hand tighten screw with allen wrench until it will go no further.



## Step 5

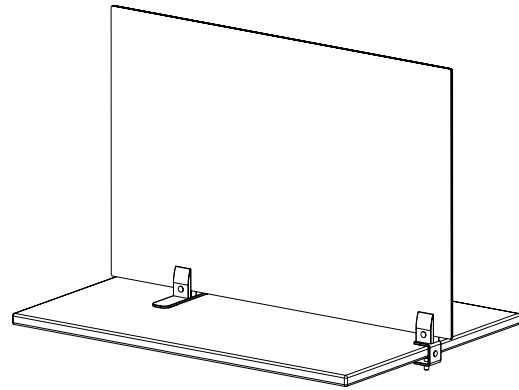
Attach hole covers.



# Side Divider | Top Mount

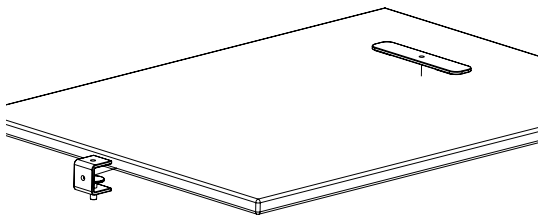
Read all assembly directions before beginning installation.

Use **all** panel clamps for the required positions.



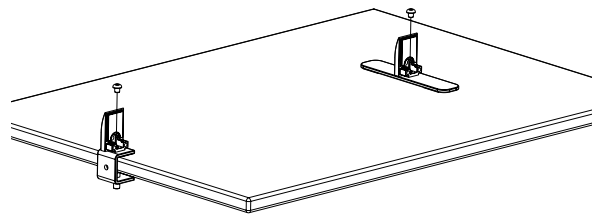
## Step 1

Turn the clamp screw to be tight with the table surface. Identify anti slip pads to be face down.



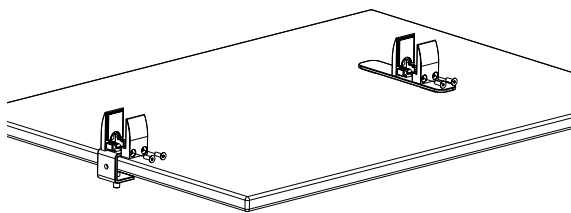
## Step 2

Attach first part of clamp to both mounts.



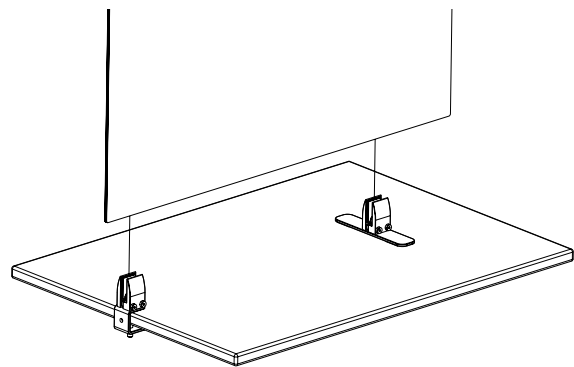
## Step 3

Do not tighten fully to support for easier next step.



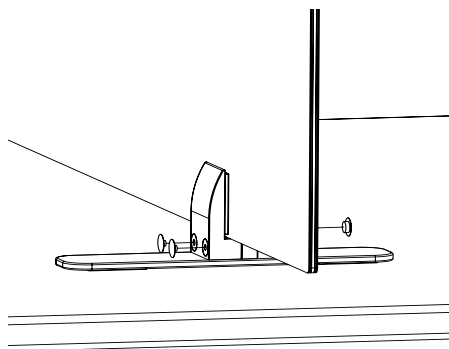
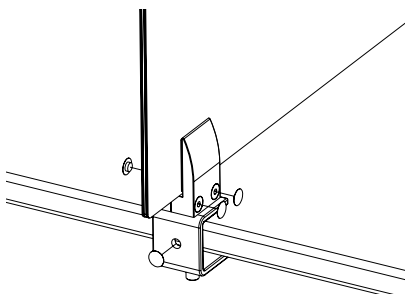
## Step 4

Insert Panel. Hand tighten screw with allen wrench until it will go no further.



## Step 5

Attach hole covers.

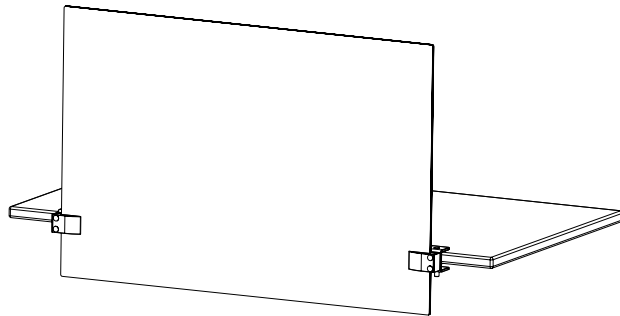


# Privacy | Modesty

Read all assembly directions before beginning installation.

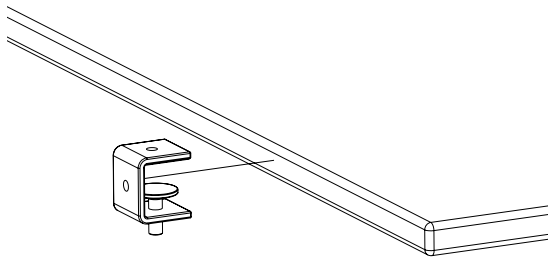
Use **all** panel clamps for the required positions.

This setup can only be used with the following sizes:  
18" x 24", 18" x 36", 24" x 24", 24" x 36" or 385 mm x 585 mm, 385 mm x 785 mm, 585 mm x 585 mm, 585 mm x 785 mm



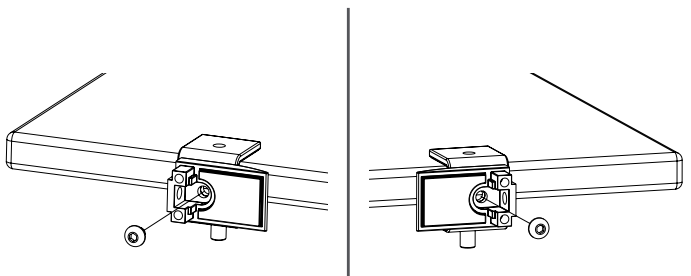
## Step 1

Turn the clamp screw to be tight with the table surface. Identify anti slip pads to be face down.



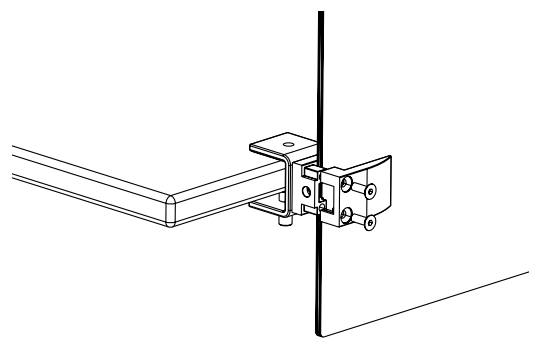
## Step 2

Direction of clamp should be positioned to grip the panel on left and right sides.



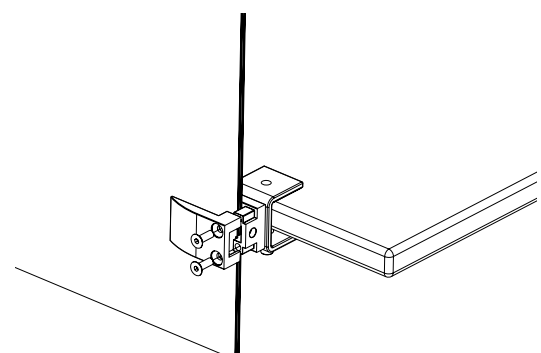
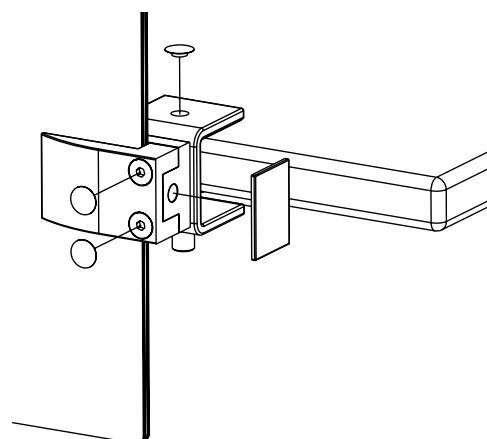
## Step 3

Insert panel. Hand tighten screw with allen wrench until it will go no further.



## Step 4

Hand tighten screw with allen wrench until it will go no further (right clamp).



## Step 5

Attach hole covers.



# Collaborative Products Warranty

## **CeramicSteel Surface: Forever warranty**

PolyVision warrants that all porcelain-enameled surfaces and/or products made with e<sup>3™</sup> CeramicSteel (Premium Writing Surfaces) or a<sup>3™</sup> CeramicSteel (Collaborative Products) will retain its writing and erasing qualities and maintain its gloss variance and color consistency for the life of the building or for as long as the product is in use, whichever comes first.

## **Panel Construction and Mobile: 10 year limited warranty**

PolyVision warrants that our panels, under normal atmospheric conditions and when sealed from moisture, will not delaminate from the substrate or warp for a period of 10 years. PolyVision warrants that our Mobile products, when used under normal conditions, will perform as intended for a period of 10 years.

## **Accessories: 2 year limited warranty**

PolyVision warrants that our accessories, including but not limited to Collaborative ToolBar and round magnetic eraser, when used under normal conditions will perform as intended for a period of 2 years. Consumables like markers and chalk sticks are not covered by the Accessories warranty.

Should any failure to conform to this warranty become apparent, then, upon written notice from the customer, PolyVision, at its option, will correct such nonconformity by repair or replacement. Correction in the manner provided above shall constitute a fulfillment of all liabilities of PolyVision with respect to the quality of the CeramicSteel. The warranty is applicable only under normal usage and maintenance and does not cover defects caused by improper handling, vandalism or abuse, or arising from failure to follow PolyVision's instructions and recommendations for maintenance.

The warranty is voided if any modifications are made to the products by the customer or other trades with or without PolyVision's written consent or prior knowledge. The warranty does not include the cost of removal or reinstallation. This warranty is effective as of July 12, 2019, and supersedes the terms and conditions of all prior surface warranties issued to the customer by PolyVision.

This limited warranty is the sole remedy for product defects and no other express or implied warranty is provided, including but not limited to any implied warranties of merchantability or fitness for a particular purpose. PolyVision shall not be liable for consequential or incidental damages arising from any product defect.

## **PolyVision Americas**

10700 Abbotts Bridge Road  
Suite 100  
Johns Creek, GA 30097 USA

T 1 888 325 6351  
E [info@polyvision.com](mailto:info@polyvision.com)

## **PolyVision Europe**

Zuiderring 56  
3600 Genk, Belgium

T +32 89 32 31 30  
E [EMEAsupport@polyvision.com](mailto:EMEAsupport@polyvision.com)

## **PolyVision Asia-Pacific**

15th Floor, Kinwick Centre  
32 Hollywood Road, Central District  
Hong Kong

T +852 2520 0160  
E [APACsupport@polyvision.com](mailto:APACsupport@polyvision.com)



©2020 PolyVision Corporation. All rights reserved. Trademarks used herein are the property of PolyVision Corporation or of their respective owner. PolyVision Corporation reserves the right to make changes in product design, construction or detail, and to discontinue any product or material without notice.

[polyvision.com](http://polyvision.com)



02-11-2021