

Tac Installation Guide

Americas 2021

English
Español
Français Canadien

Guidelines for installing your
new Tac board


English

3	Safety Requirements
4	Required Materials + Equipment
5	Installation
10	Warranty

Safety Requirements

Tac - Wall Mounted Frameless Tackboard, Non-Seismic Applications

The building's Engineer of Record must be consulted to determine if there are any seismic requirements.

	<p align="center">⚠ CAUTION</p> <p>CRUSH HAZARD. Failure to properly secure board could result in personal injury.</p>
	<p align="center">⚠ ATTENTION</p> <p>RISQUE D'ÉCRASEMENT. Ne pas attacher la planche de manière sûre pourrait entraîner des blessures personnelles.</p>
<p>SAFETY INSTRUCTIONS</p>	
<p>Read all assembly directions before beginning installation.</p> <p>Building construction varies greatly. The Building's Engineer of Record is responsible for the design of building walls which the boards are attached to and must verify the adequacy of the mounting hardware, even if provided by Polyvision.</p> <p>The building owner or designated agent is responsible for verifying that the installation is in compliance with all local codes and regulations.</p>	
<p>INSTRUCTIONS DE SÉCURITÉ</p>	
<p>Lisez l'ensemble des instructions d'assemblage avant de démarrer l'installation.</p> <p>La construction des bâtiments varie grandement. L'ingénieur d'enregistrement du bâtiment est responsable de la conception des murs sur lesquels sont attachées les planches et doit vérifier que le matériel de montage est adéquat, même si ce dernier est fourni par PolyVision.</p> <p>Le propriétaire du bâtiment ou l'agent désigné a la responsabilité de vérifier que l'installation est conforme à l'ensemble des codes et réglementations locaux.</p> <p align="right"><small>1078781001 Rev A</small></p>	

Verify Wall Construction

CAUTION! Adequate wall construction is required to support the weight of the board. Minimum wall construction must be capable of supporting weight amounts listed in Table 1 on page 4.

Minimum Required Wall Construction

Drywall with metal studs:

- Must be at least 25 ga. (0.018" or .5 mm thick) 33 ksi steel studs 38 mm x 89 mm (1.5" x 3.5")
- Studs on maximum 610 mm (24") centers
- Must be at least 16 mm (5/8") thick Type X gypsum drywall for the US or 12 mm (1/2") for EU
- 32 mm (#6 x 1-1/4") drywall screws on 305 mm (12") centers

Drywall with wood studs:

- Stud grade SPF, DF-L or Hem-Fir 38 mm x 89 mm (1.5" x 3.5")
- Studs on 610 mm (24") centers
- Must be at least 16 mm (5/8") thick Type X gypsum drywall for the US or 12 mm (1/2") for EU
- 32 mm (#6 x 1-1/4") drywall screws on 305 mm (12") centers



Required Materials + Equipment

Required Equipment

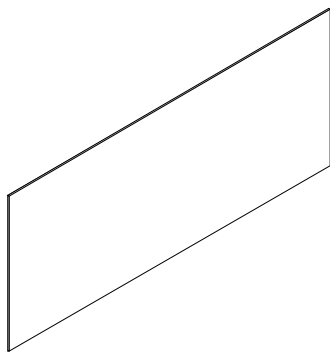
- Drill
- #2 Bit
- Pliers
- Pencil
- Level
- 2 or 3-step ladder
- Tape measure
- #8 1-1/4" drywall screws
- Wall anchors

Note: Screws and anchors to be provided by installer.

Materials Provided

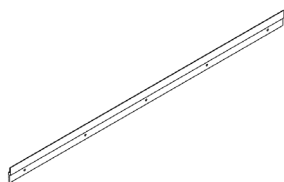
NOTE: Items are not drawn to size. Quantity of wall anchors and screws will vary per product due to the various widths. Board size determines the quantity of anchors and screws.*

Refer to Table 1 for screw and anchor quantities required by size.



Tac panel(s)

* Table 1			
Product Size	Orientation	Brackets	Anchors /Screws
24" x 24"	-	2	8
36" x 48"	Horizontal	2	12
	Vertical	2	10
48" x 72"	Horizontal	2	16
	Vertical	3	18
48" x 96"	Horizontal	2	20
	Vertical	3	18



Brackets*

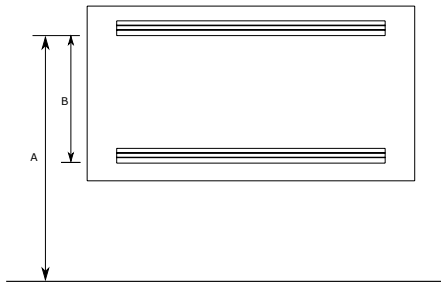
Installation

Step One

- Use appropriate mounting specification based on the size and the orientation of your Tac board

NOTE: You may drill holes in the support bracket to install into the wall stud for strongest support. Anchor into wall studs as often as possible. Mounting heights are recommendations only.

Horizontal Orientation

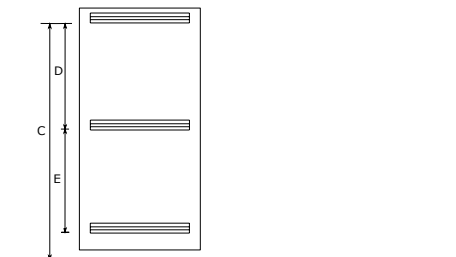


Product	# of Studs	Weight (kg)
24" x 24"	2	5 lbs
36" x 48"	2	17 lbs
48" x 72"	4	62 lbs
48" x 96"	4	80 lbs

Recommended Mounting Heights

Product	A	B
24" x 24"	77"	12"
36" x 48"	77"	24"
48" x 72"	77"	36"
48" x 96"	77"	36"

Vertical Orientation



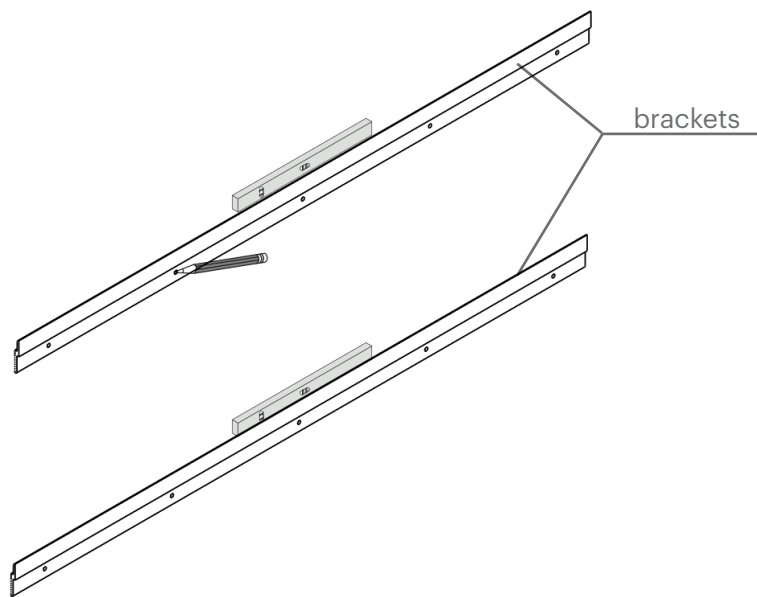
Product	# of Studs	Weight (kg)
24" x 24"	2	5 lbs
36" x 48"	2	17 lbs
48" x 72"	3	62 lbs
48" x 96"	3	80 lbs

Recommended Mounting Heights

Product	A	B	C	D	E
48" x 36"	77"	36"	-	-	-
72" x 48"			69 11/16"	30"	30"
96" x 48"			92 29/32"	42"	42"

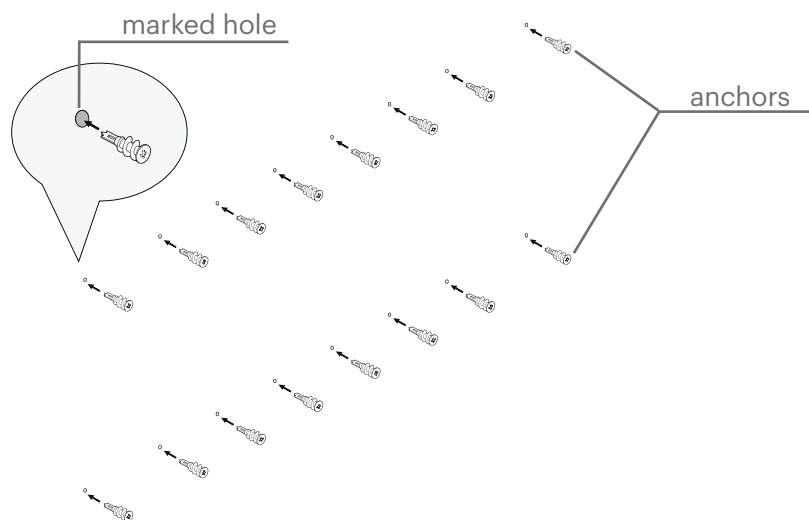
Step Two

- Level brackets and mark holes onto wall. Refer to recommended mounting heights noted on page 5.



Step Three

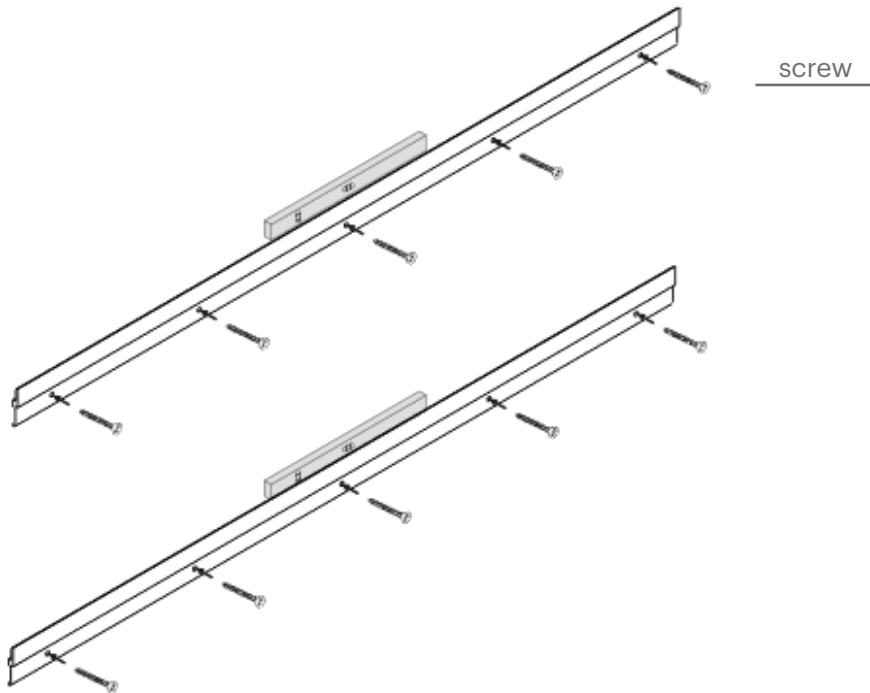
- Remove brackets from wall and install wall anchors in all hole locations that are not over a stud. Anchor may not be needed for stud.



Installation

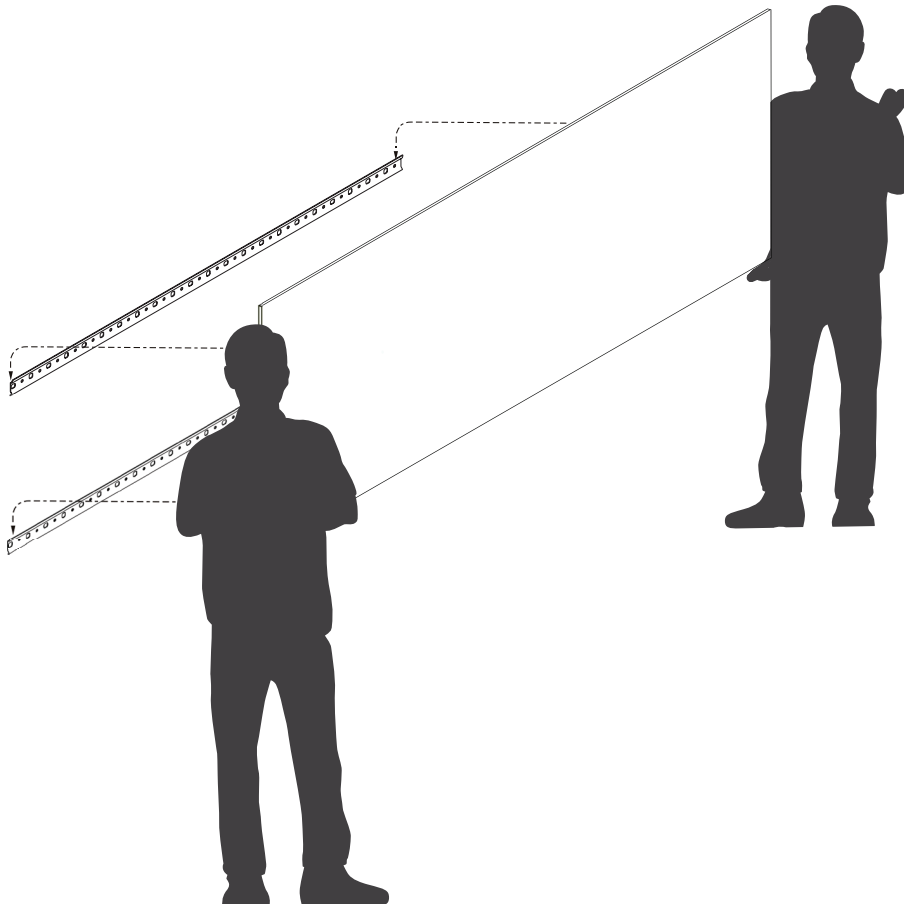
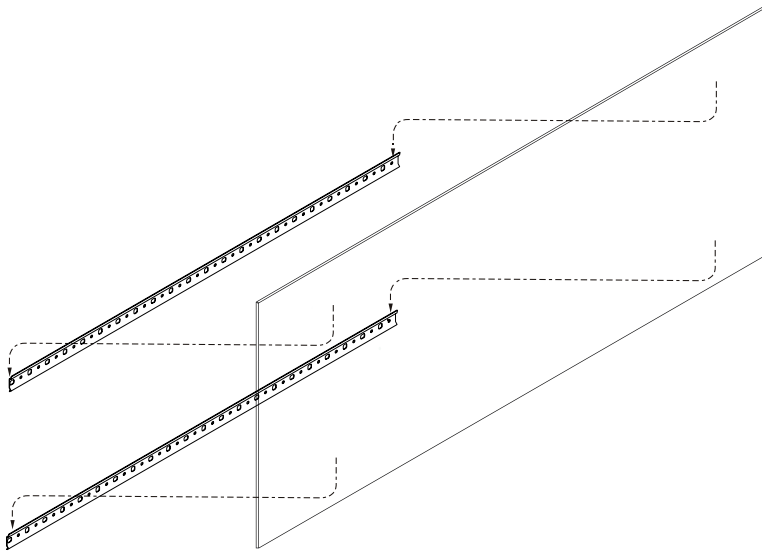
Step Four

- Re-align brackets with holes and secure using screws.



Step Five

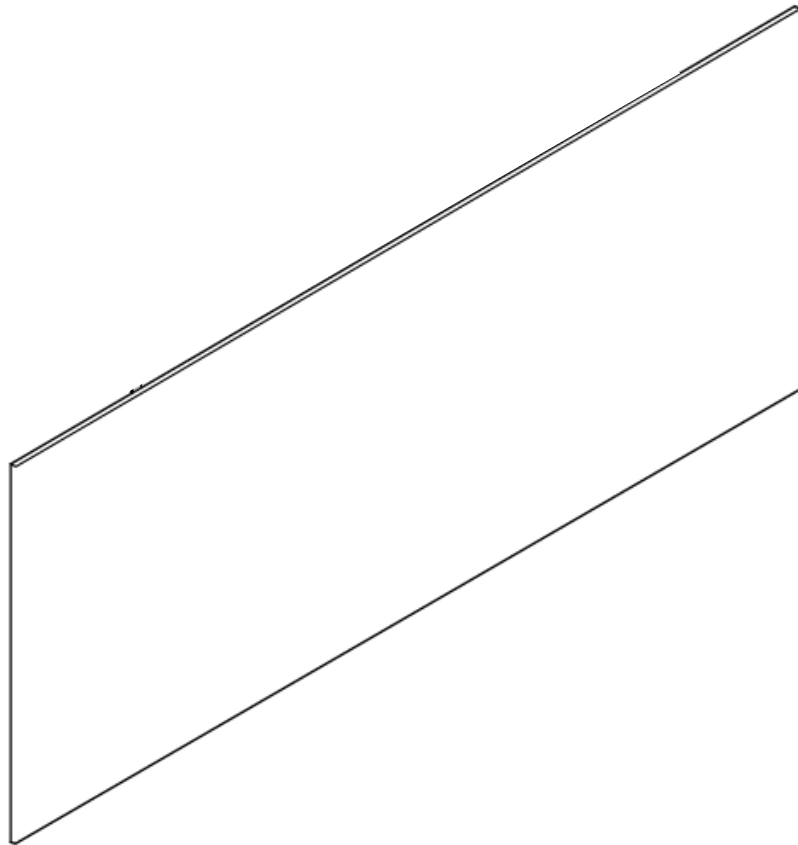
- Lower brackets on back of the Tac board onto brackets on wall.
- **IMPORTANT:** Always check to ensure both top and bottom panel brackets are resting on the wall brackets.



Installation

Step Six

- Installation of PolyVision Tac is complete.



CeramicSteel Surface: Forever warranty

PolyVision warrants that all porcelain-enameled surfaces and/or products made with e³™ CeramicSteel (Premium Writing Surfaces) or a³™ CeramicSteel (Collaborative Products) will retain its writing and erasing qualities and maintain its gloss variance and color consistency for the life of the building or for as long as the product is in use, whichever comes first.

Panel Construction and Mobile: 10 year limited warranty

PolyVision warrants that our panels, under normal atmospheric conditions and when sealed from moisture, will not delaminate from the substrate or warp for a period of 10 years. PolyVision warrants that our Mobile products, when used under normal conditions, will perform as intended for a period of 10 years.

Accessories: 2 year limited warranty

PolyVision warrants that our accessories, including but not limited to Collaborative ToolBar and round magnetic eraser, when used under normal conditions will perform as intended for a period of 2 years. Consumables like markers and chalk sticks are not covered by the Accessories warranty.

Alternative Materials: Limited Warranty

PolyVision warrants that our glass products, including but not limited to glassboards, when used under normal conditions will perform as intended for a period of 5 years. Manufacturing defects are warranted for a period of 5 years. PolyVision warrants that our tackable products, including but not limited to Tac, when used under normal conditions will perform as intended for a period of 2 years. Tackable products are warranted under the conditional terms of interior use only.

Should any failure to conform to this warranty become apparent, then, upon written notice from the customer, PolyVision, at its option, will correct such nonconformity by repair or replacement. Correction in the manner provided above shall constitute a fulfillment of all liabilities of PolyVision with respect to the quality of the CeramicSteel. The warranty is applicable only under normal usage and maintenance and does not cover defects caused by improper handling, vandalism or abuse, or arising from failure to follow PolyVision's instructions and recommendations for maintenance.

The warranty is voided if any modifications are made to the products by the customer or other trades with or without PolyVision's written consent or prior knowledge. The warranty does not include the cost of removal or reinstallation. This warranty is effective as of July 12, 2019, and supersedes the terms and conditions of all prior surface warranties issued to the customer by PolyVision.

This limited warranty is the sole remedy for product defects and no other express or implied warranty is provided, including but not limited to any implied warranties of merchantability or fitness for a particular purpose. PolyVision shall not be liable for consequential or incidental damages arising from any product defect.

©2021 PolyVision Corporation. All rights reserved. Trademarks used herein are the trademarks of PolyVision Corporation or their respective owner. PolyVision Corporation reserves the right to make changes in product design, construction or detail, and to discontinue any product or material without notice.




Español

3	Safety Requirements
4	Required Materials + Equipment
5	Installation
10	Warranty

Safety Requirements

Tac - Wall Mounted Frameless Tackboard, Non-Seismic Applications

The building's Engineer of Record must be consulted to determine if there are any seismic requirements.

	<p>⚠ CAUTION</p> <p>CRUSH HAZARD. Failure to properly secure board could result in personal injury.</p>
	<p>⚠ ATTENTION</p> <p>RISQUE D'ÉCRASEMENT. Ne pas attacher la planche de manière sûre pourrait entraîner des blessures personnelles.</p>
<p>SAFETY INSTRUCTIONS</p>	
<p>Read all assembly directions before beginning installation.</p> <p>Building construction varies greatly. The Building's Engineer of Record is responsible for the design of building walls which the boards are attached to and must verify the adequacy of the mounting hardware, even if provided by Polyvision.</p> <p>The building owner or designated agent is responsible for verifying that the installation is in compliance with all local codes and regulations.</p>	
<p>INSTRUCTIONS DE SÉCURITÉ</p>	
<p>Lisez l'ensemble des instructions d'assemblage avant de démarrer l'installation.</p> <p>La construction des bâtiments varie grandement. L'ingénieur d'enregistrement du bâtiment est responsable de la conception des murs sur lesquels sont attachées les planches et doit vérifier que le matériel de montage est adéquat, même si ce dernier est fourni par PolyVision.</p> <p>Le propriétaire du bâtiment ou l'agent désigné a la responsabilité de vérifier que l'installation est conforme à l'ensemble des codes et réglementations locaux.</p> <p style="text-align: right; font-size: small;">1078781001 Rev A</p>	

Verify Wall Construction

CAUTION! Adequate wall construction is required to support the weight of the board. Minimum wall construction must be capable of supporting weight amounts listed in Table 1 on page 13.

Minimum Required Wall Construction

Drywall with metal studs:

- Must be at least 25 ga. (0.018" or .5 mm thick) 33 ksi steel studs 38 mm x 89 mm (1.5" x 3.5")
- Studs on maximum 610 mm (24") centers
- Must be at least 16 mm (5/8") thick Type X gypsum drywall for the US or 12 mm (1/2") for EU
- 32 mm (#6 x 1-1/4") drywall screws on 305 mm (12") centers

Drywall with wood studs:

- Stud grade SPF, DF-L or Hem-Fir 38 mm x 89 mm (1.5" x 3.5")
- Studs on 610 mm (24") centers
- Must be at least 16 mm (5/8") thick Type X gypsum drywall for the US or 12 mm (1/2") for EU
- 32 mm (#6 x 1-1/4") drywall screws on 305 mm (12") centers



Required Materials + Equipment

Required Equipment

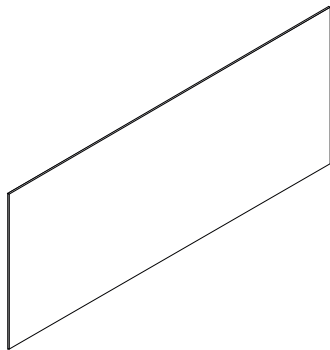
- Drill
- #2 Bit
- Pliers
- Pencil
- Level
- 2 or 3-step ladder
- Tape measure
- #8 1-1/4" drywall screws
- Wall anchors

Note: Screws and anchors to be provided by installer.

Materials Provided

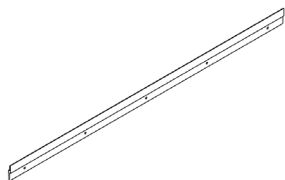
NOTE: Items are not drawn to size. Quantity of wall anchors and screws will vary per product due to the various widths. Board size determines the quantity of anchors and screws.*

Refer to Table 1 for screw and anchor quantities required by size.



Tac panel(s)

* Table 1			
Product Size	Orientation	Brackets	Anchors /Screws
24" x 24"	-	2	8
36" x 48"	Horizontal	2	12
	Vertical	2	10
48" x 72"	Horizontal	2	16
	Vertical	3	18
48" x 96"	Horizontal	2	20
	Vertical	3	18



Brackets*

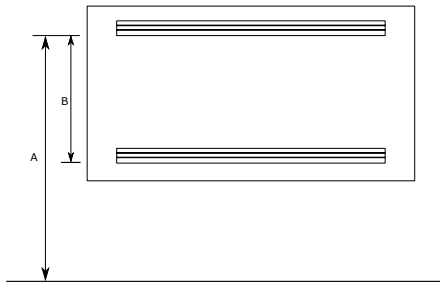
Installation

Step One

- Use appropriate mounting specification based on the size and the orientation of your Tac board

NOTE: You may drill holes in the support bracket to install into the wall stud for strongest support. Anchor into wall studs as often as possible. Mounting heights are recommendations only.

Horizontal Orientation

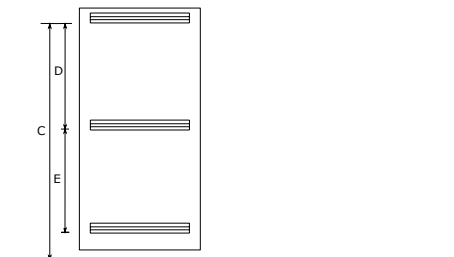


Product	# of Studs	Weight (kg)
24" x 24"	2	5 lbs
36" x 48"	2	17 lbs
48" x 72"	4	62 lbs
48" x 96"	4	80 lbs

Recommended Mounting Heights

Product	A	B
24" x 24"	77"	12"
36" x 48"	77"	24"
48" x 72"	77"	36"
48" x 96"	77"	36"

Vertical Orientation



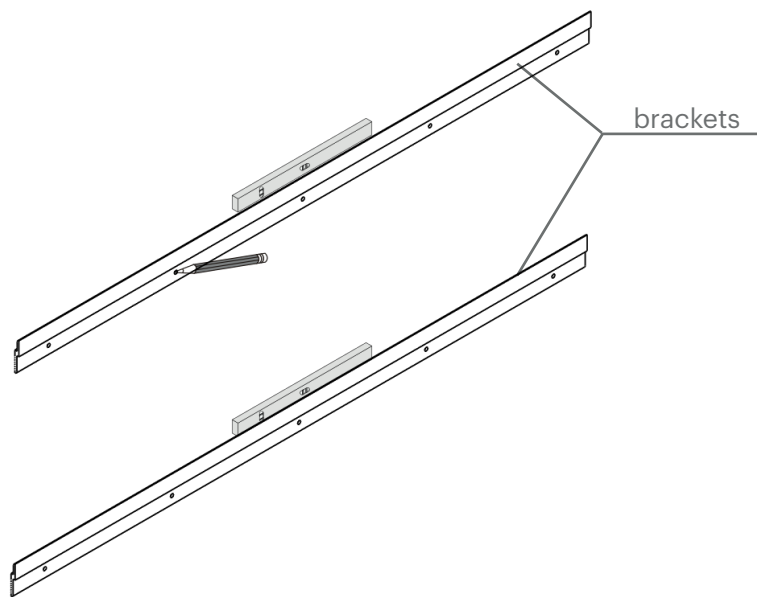
Product	# of Studs	Weight (kg)
24" x 24"	2	5 lbs
36" x 48"	2	17 lbs
48" x 72"	3	62 lbs
48" x 96"	3	80 lbs

Recommended Mounting Heights

Product	A	B	C	D	E
48" x 36"	77"	36"	-	-	-
72" x 48"			69 11/16"	30"	30"
96" x 48"			92 29/32"	42"	42"

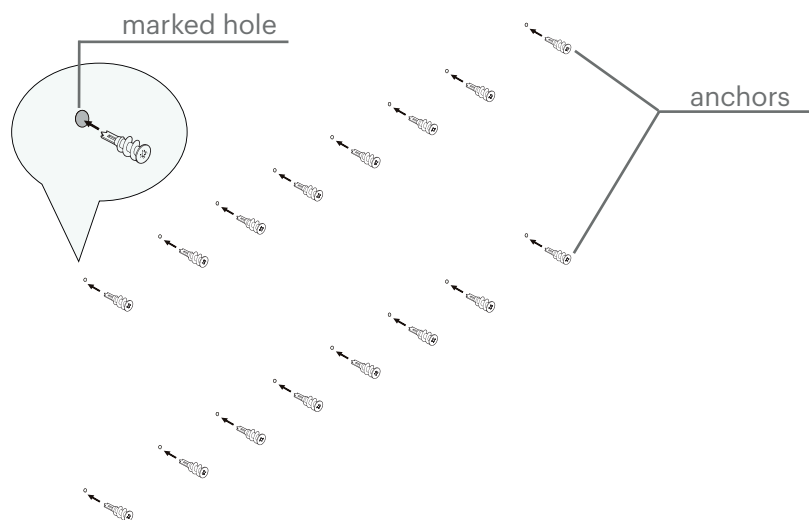
Step Two

- Level brackets and mark holes onto wall. Refer to recommended mounting heights noted on page 14.



Step Three

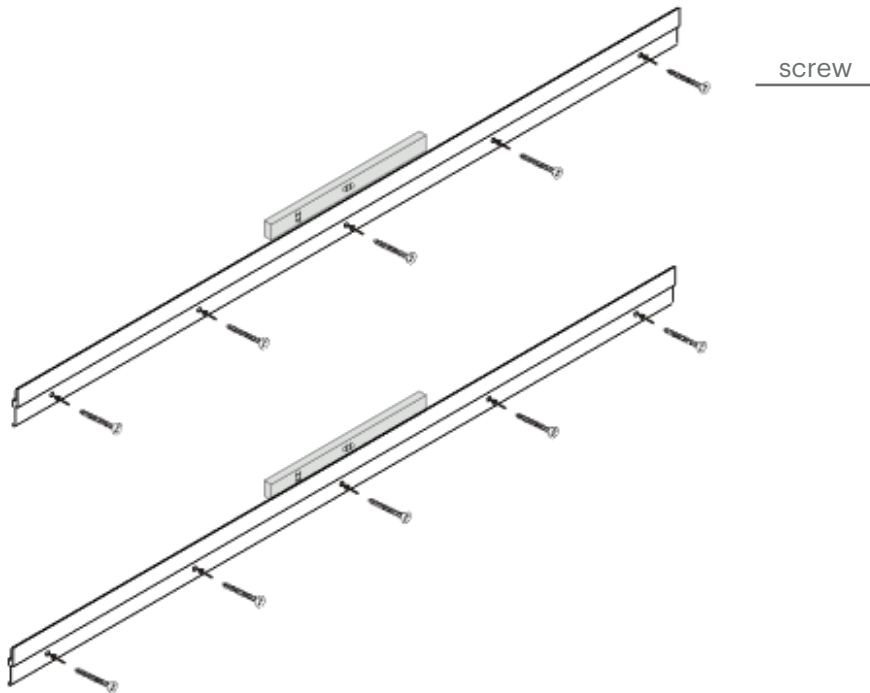
- Remove brackets from wall and install wall anchors in all hole locations that are not over a stud. Anchor may not be needed for stud.



Installation

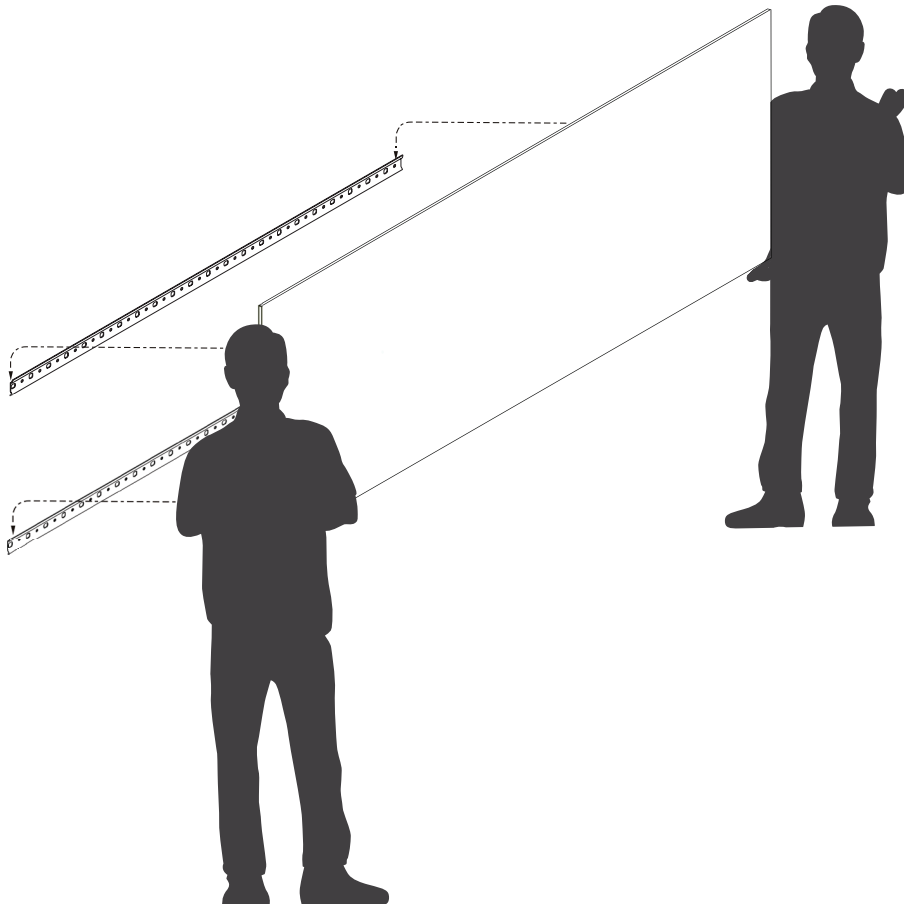
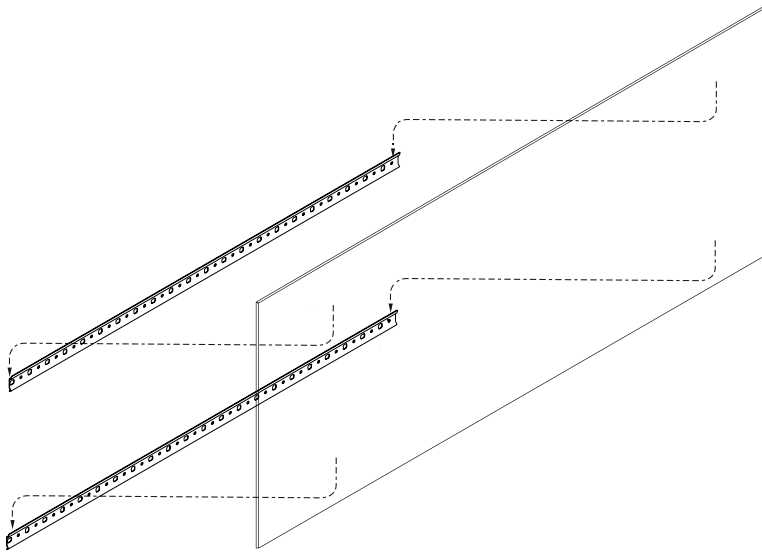
Step Four

- Re-align brackets with holes and secure using screws.



Step Five

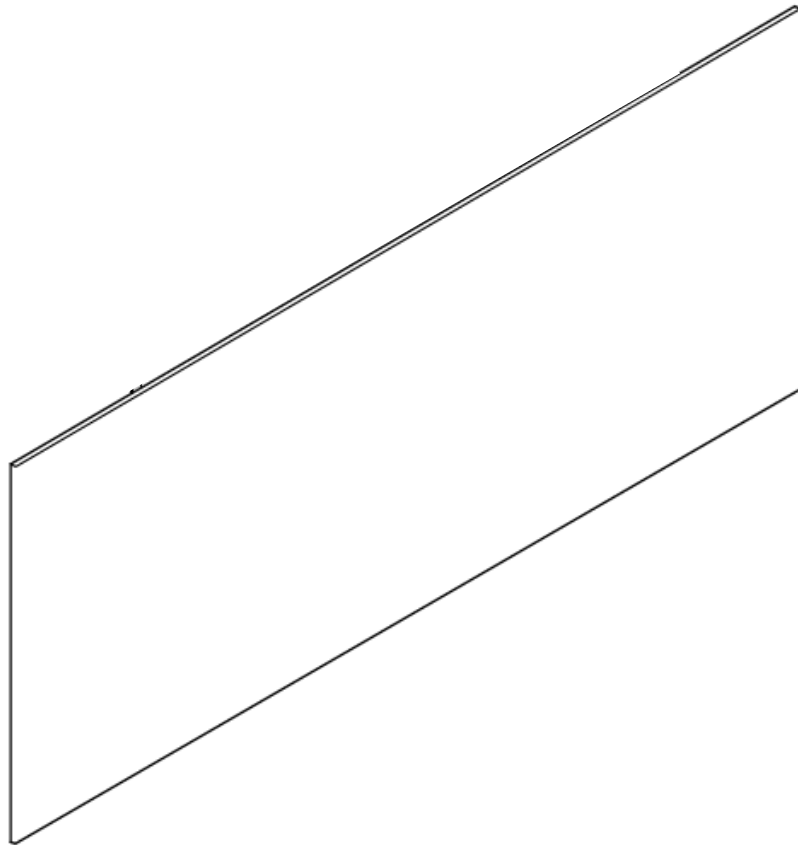
- Lower brackets on back of the Tac board onto brackets on wall.
- **IMPORTANT:** Always check to ensure both top and bottom panel brackets are resting on the wall brackets.



Installation

Step Six

- Installation of PolyVision Tac is complete.



CeramicSteel Surface: Forever warranty

PolyVision warrants that all porcelain-enameled surfaces and/or products made with e³™ CeramicSteel (Premium Writing Surfaces) or a³™ CeramicSteel (Collaborative Products) will retain its writing and erasing qualities and maintain its gloss variance and color consistency for the life of the building or for as long as the product is in use, whichever comes first.

Panel Construction and Mobile: 10 year limited warranty

PolyVision warrants that our panels, under normal atmospheric conditions and when sealed from moisture, will not delaminate from the substrate or warp for a period of 10 years. PolyVision warrants that our Mobile products, when used under normal conditions, will perform as intended for a period of 10 years.

Accessories: 2 year limited warranty

PolyVision warrants that our accessories, including but not limited to Collaborative ToolBar and round magnetic eraser, when used under normal conditions will perform as intended for a period of 2 years. Consumables like markers and chalk sticks are not covered by the Accessories warranty.

Alternative Materials: Limited Warranty

PolyVision warrants that our glass products, including but not limited to glassboards, when used under normal conditions will perform as intended for a period of 5 years. Manufacturing defects are warranted for a period of 5 years. PolyVision warrants that our tackable products, including but not limited to Tac, when used under normal conditions will perform as intended for a period of 2 years. Tackable products are warranted under the conditional terms of interior use only.

Should any failure to conform to this warranty become apparent, then, upon written notice from the customer, PolyVision, at its option, will correct such nonconformity by repair or replacement. Correction in the manner provided above shall constitute a fulfillment of all liabilities of PolyVision with respect to the quality of the CeramicSteel. The warranty is applicable only under normal usage and maintenance and does not cover defects caused by improper handling, vandalism or abuse, or arising from failure to follow PolyVision's instructions and recommendations for maintenance.

The warranty is voided if any modifications are made to the products by the customer or other trades with or without PolyVision's written consent or prior knowledge. The warranty does not include the cost of removal or reinstallation. This warranty is effective as of July 12, 2019, and supersedes the terms and conditions of all prior surface warranties issued to the customer by PolyVision.

This limited warranty is the sole remedy for product defects and no other express or implied warranty is provided, including but not limited to any implied warranties of merchantability or fitness for a particular purpose. PolyVision shall not be liable for consequential or incidental damages arising from any product defect.

©2021 PolyVision Corporation. All rights reserved. Trademarks used herein are the trademarks of PolyVision Corporation or their respective owner. PolyVision Corporation reserves the right to make changes in product design, construction or detail, and to discontinue any product or material without notice.




Français Canadien

3	Safety Requirements
4	Required Materials + Equipment
5	Installation
10	Warranty

Safety Requirements

Tac - Wall Mounted Frameless Tackboard, Non-Seismic Applications

The building's Engineer of Record must be consulted to determine if there are any seismic requirements.

	<p>⚠ CAUTION</p> <p>CRUSH HAZARD. Failure to properly secure board could result in personal injury.</p>
	<p>⚠ ATTENTION</p> <p>RISQUE D'ÉCRASEMENT. Ne pas attacher la planche de manière sûre pourrait entraîner des blessures personnelles.</p>
<p>SAFETY INSTRUCTIONS</p>	
<p>Read all assembly directions before beginning installation.</p> <p>Building construction varies greatly. The Building's Engineer of Record is responsible for the design of building walls which the boards are attached to and must verify the adequacy of the mounting hardware, even if provided by Polyvision.</p> <p>The building owner or designated agent is responsible for verifying that the installation is in compliance with all local codes and regulations.</p>	
<p>INSTRUCTIONS DE SÉCURITÉ</p>	
<p>Lisez l'ensemble des instructions d'assemblage avant de démarrer l'installation.</p> <p>La construction des bâtiments varie grandement. L'ingénieur d'enregistrement du bâtiment est responsable de la conception des murs sur lesquels sont attachées les planches et doit vérifier que le matériel de montage est adéquat, même si ce dernier est fourni par PolyVision.</p> <p>Le propriétaire du bâtiment ou l'agent désigné a la responsabilité de vérifier que l'installation est conforme à l'ensemble des codes et réglementations locaux.</p> <p style="text-align: right; font-size: small;">1078781001 Rev A</p>	

Verify Wall Construction

CAUTION! Adequate wall construction is required to support the weight of the board. Minimum wall construction must be capable of supporting weight amounts listed in Table 1 on page 22.

Minimum Required Wall Construction

Drywall with metal studs:

- Must be at least 25 ga. (0.018" or .5 mm thick) 33 ksi steel studs 38 mm x 89 mm (1.5" x 3.5")
- Studs on maximum 610 mm (24") centers
- Must be at least 16 mm (5/8") thick Type X gypsum drywall for the US or 12 mm (1/2") for EU
- 32 mm (#6 x 1-1/4") drywall screws on 305 mm (12") centers

Drywall with wood studs:

- Stud grade SPF, DF-L or Hem-Fir 38 mm x 89 mm (1.5" x 3.5")
- Studs on 610 mm (24") centers
- Must be at least 16 mm (5/8") thick Type X gypsum drywall for the US or 12 mm (1/2") for EU
- 32 mm (#6 x 1-1/4") drywall screws on 305 mm (12") centers



Required Materials + Equipment

Required Equipment

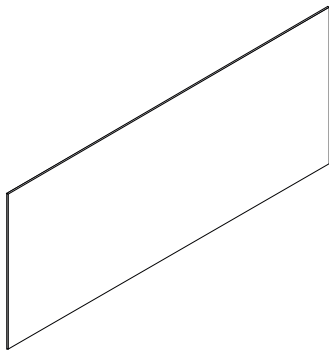
- Drill
- #2 Bit
- Pliers
- Pencil
- Level
- 2 or 3-step ladder
- Tape measure
- #8 1-1/4" drywall screws
- Wall anchors

Note: Screws and anchors to be provided by installer.

Materials Provided

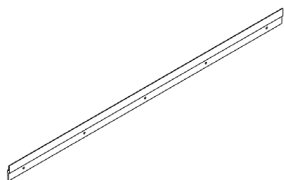
NOTE: Items are not drawn to size. Quantity of wall anchors and screws will vary per product due to the various widths. Board size determines the quantity of anchors and screws.*

Refer to Table 1 for screw and anchor quantities required by size.



Tac panel(s)

* Table 1			
Product Size	Orientation	Brackets	Anchors /Screws
24" x 24"	-	2	8
36" x 48"	Horizontal	2	12
	Vertical	2	10
48" x 72"	Horizontal	2	16
	Vertical	3	18
48" x 96"	Horizontal	2	20
	Vertical	3	18



Brackets*

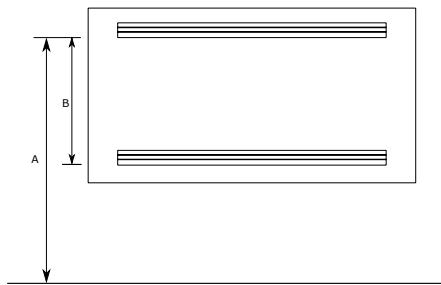
Installation

Step One

- Use appropriate mounting specification based on the size and the orientation of your Tac board

NOTE: You may drill holes in the support bracket to install into the wall stud for strongest support. Anchor into wall studs as often as possible. Mounting heights are recommendations only.

Horizontal Orientation

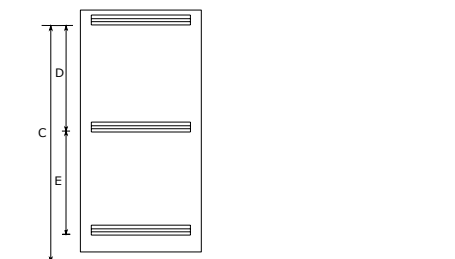


Product	# of Studs	Weight (kg)
24" x 24"	2	5 lbs
36" x 48"	2	17 lbs
48" x 72"	4	62 lbs
48" x 96"	4	80 lbs

Recommended Mounting Heights

Product	A	B
24" x 24"	77"	12"
36" x 48"	77"	24"
48" x 72"	77"	36"
48" x 96"	77"	36"

Vertical Orientation



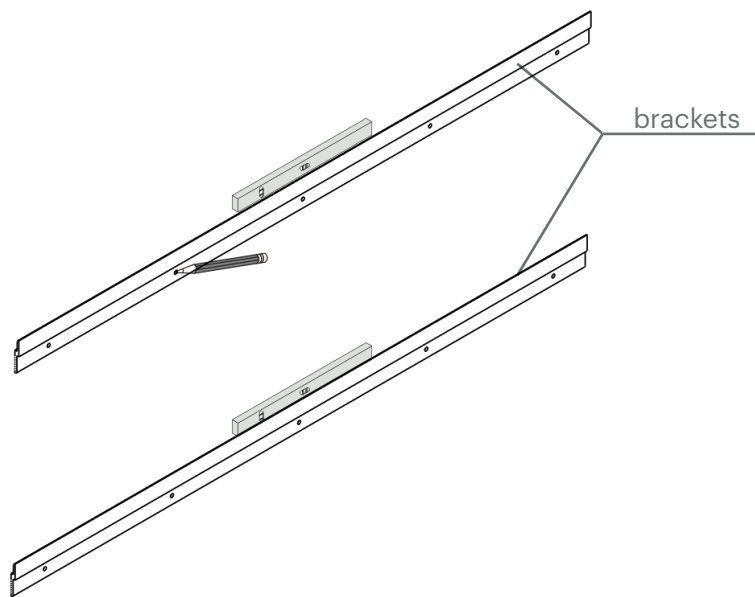
Product	# of Studs	Weight (kg)
24" x 24"	2	5 lbs
36" x 48"	2	17 lbs
48" x 72"	3	62 lbs
48" x 96"	3	80 lbs

Recommended Mounting Heights

Product	A	B	C	D	E
48" x 36"	77"	36"	-	-	-
72" x 48"			69 11/16"	30"	30"
96" x 48"			92 29/32"	42"	42"

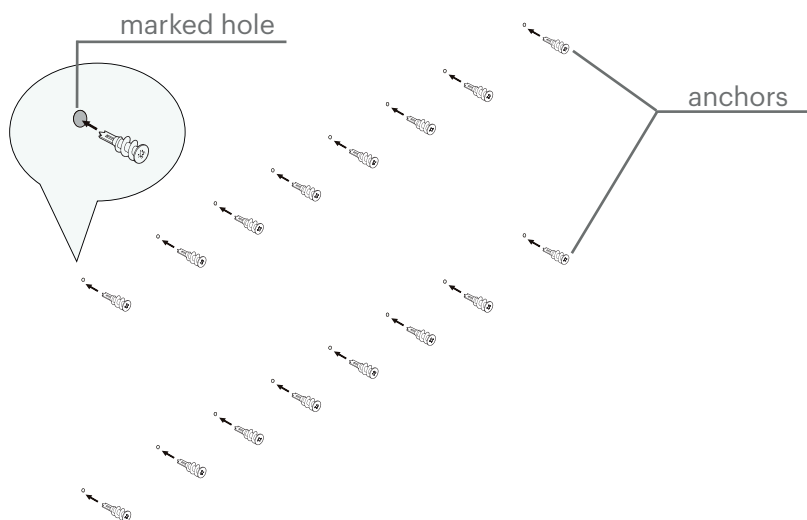
Step Two

- Level brackets and mark holes onto wall. Refer to recommended mounting heights noted on page 23.



Step Three

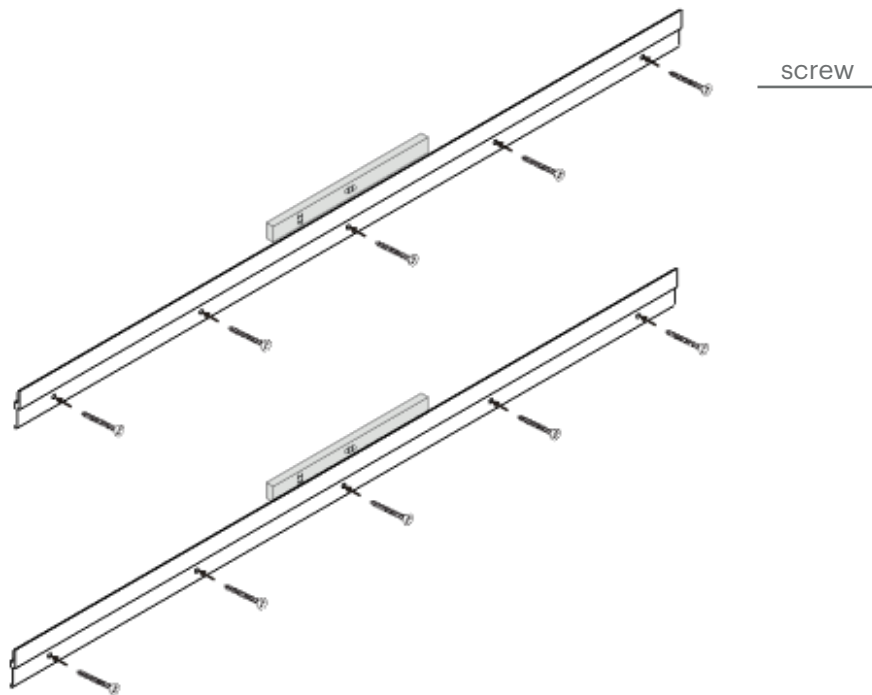
- Remove brackets from wall and install wall anchors in all hole locations that are not over a stud. Anchor may not be needed for stud.



Installation

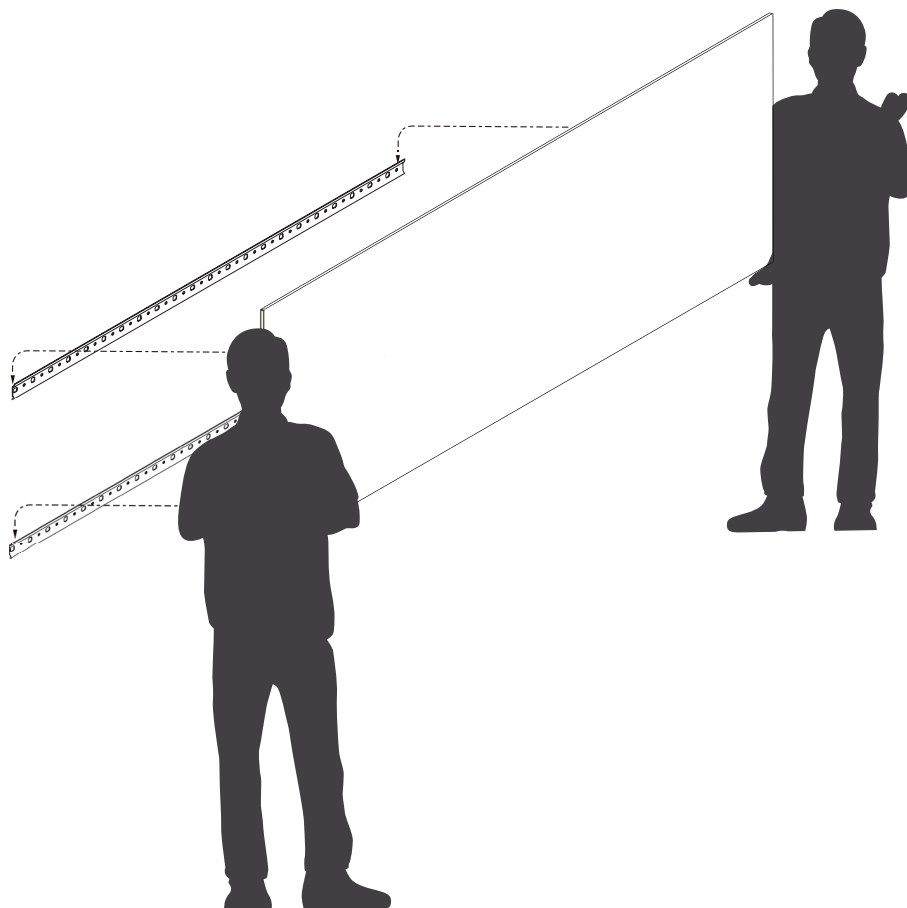
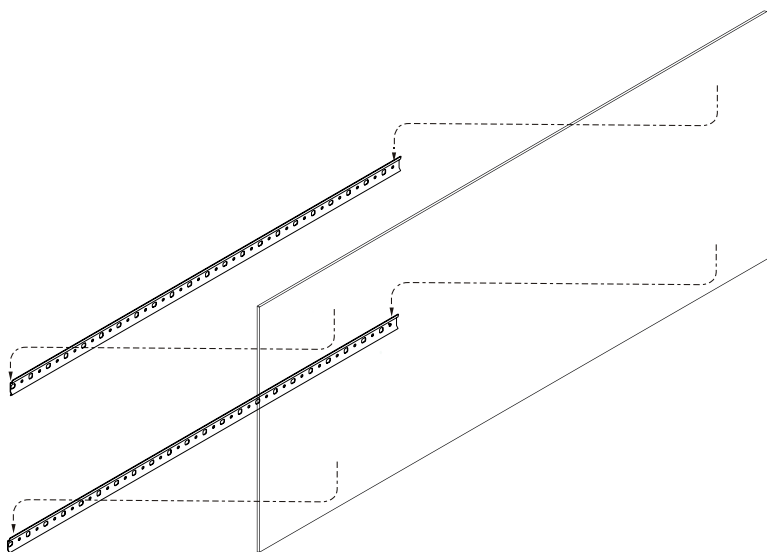
Step Four

- Re-align brackets with holes and secure using screws.



Step Five

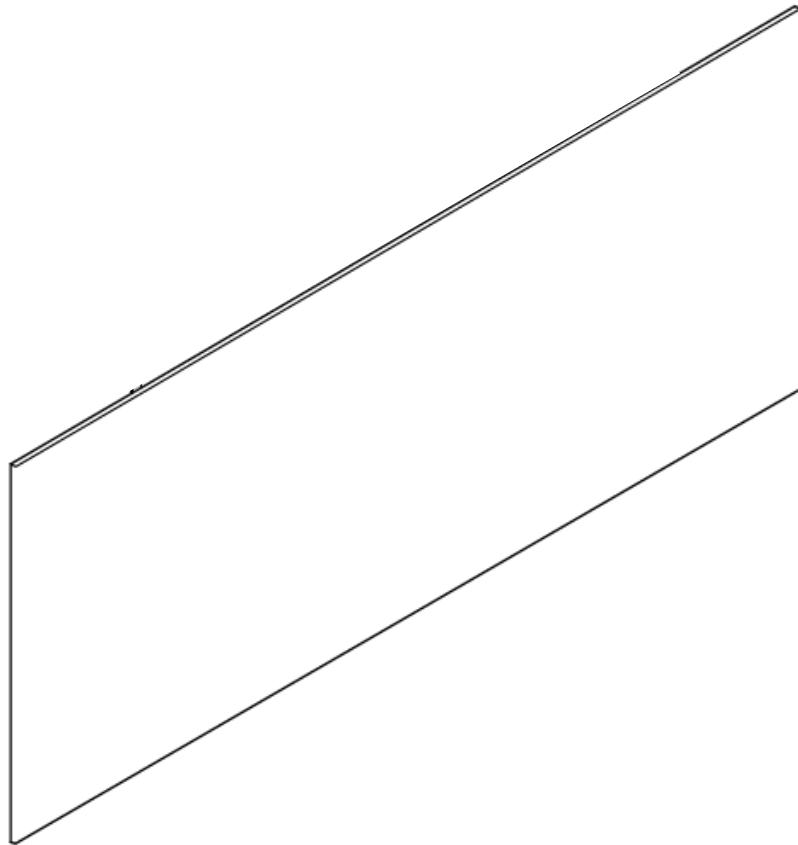
- Lower brackets on back of the Tac board onto brackets on wall.
- **IMPORTANT:** Always check to ensure both top and bottom panel brackets are resting on the wall brackets.



Installation

Step Six

- Installation of PolyVision Tac is complete.



CeramicSteel Surface: Forever warranty

PolyVision warrants that all porcelain-enameled surfaces and/or products made with e³™ CeramicSteel (Premium Writing Surfaces) or a³™ CeramicSteel (Collaborative Products) will retain its writing and erasing qualities and maintain its gloss variance and color consistency for the life of the building or for as long as the product is in use, whichever comes first.

Panel Construction and Mobile: 10 year limited warranty

PolyVision warrants that our panels, under normal atmospheric conditions and when sealed from moisture, will not delaminate from the substrate or warp for a period of 10 years. PolyVision warrants that our Mobile products, when used under normal conditions, will perform as intended for a period of 10 years.

Accessories: 2 year limited warranty

PolyVision warrants that our accessories, including but not limited to Collaborative ToolBar and round magnetic eraser, when used under normal conditions will perform as intended for a period of 2 years. Consumables like markers and chalk sticks are not covered by the Accessories warranty.

Alternative Materials: Limited Warranty

PolyVision warrants that our glass products, including but not limited to glassboards, when used under normal conditions will perform as intended for a period of 5 years. Manufacturing defects are warranted for a period of 5 years. PolyVision warrants that our tackable products, including but not limited to Tac, when used under normal conditions will perform as intended for a period of 2 years. Tackable products are warranted under the conditional terms of interior use only.

Should any failure to conform to this warranty become apparent, then, upon written notice from the customer, PolyVision, at its option, will correct such nonconformity by repair or replacement. Correction in the manner provided above shall constitute a fulfillment of all liabilities of PolyVision with respect to the quality of the CeramicSteel. The warranty is applicable only under normal usage and maintenance and does not cover defects caused by improper handling, vandalism or abuse, or arising from failure to follow PolyVision's instructions and recommendations for maintenance.

The warranty is voided if any modifications are made to the products by the customer or other trades with or without PolyVision's written consent or prior knowledge. The warranty does not include the cost of removal or reinstallation. This warranty is effective as of July 12, 2019, and supersedes the terms and conditions of all prior surface warranties issued to the customer by PolyVision.

This limited warranty is the sole remedy for product defects and no other express or implied warranty is provided, including but not limited to any implied warranties of merchantability or fitness for a particular purpose. PolyVision shall not be liable for consequential or incidental damages arising from any product defect.

©2021 PolyVision Corporation. All rights reserved. Trademarks used herein are the trademarks of PolyVision Corporation or their respective owner. PolyVision Corporation reserves the right to make changes in product design, construction or detail, and to discontinue any product or material without notice.





PolyVision Americas

10700 Abbotts Bridge Road
Suite 100
Johns Creek, GA 30097 USA

T 1 888 325 6351
E info@polyvision.com

PolyVision Europe

Zuiderring 56
3600 Genk, Belgium

T +32 89 32 31 30
E EMEAsupport@polyvision.com

PolyVision Asia-Pacific

15th Floor, Kinwick Centre
32 Hollywood Road, Central District
Hong Kong

T +852 2520 0160
E APACsupport@polyvision.com